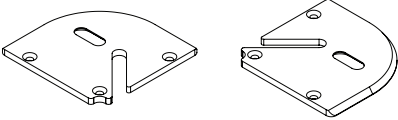
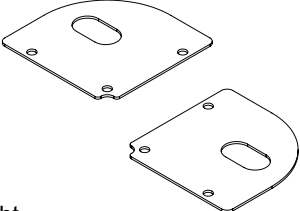
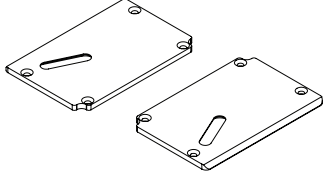
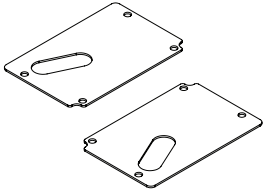
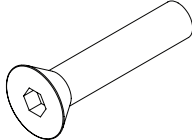
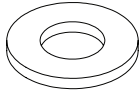
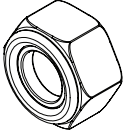
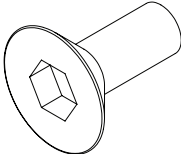
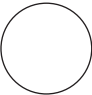

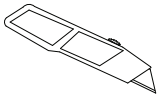

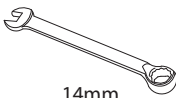
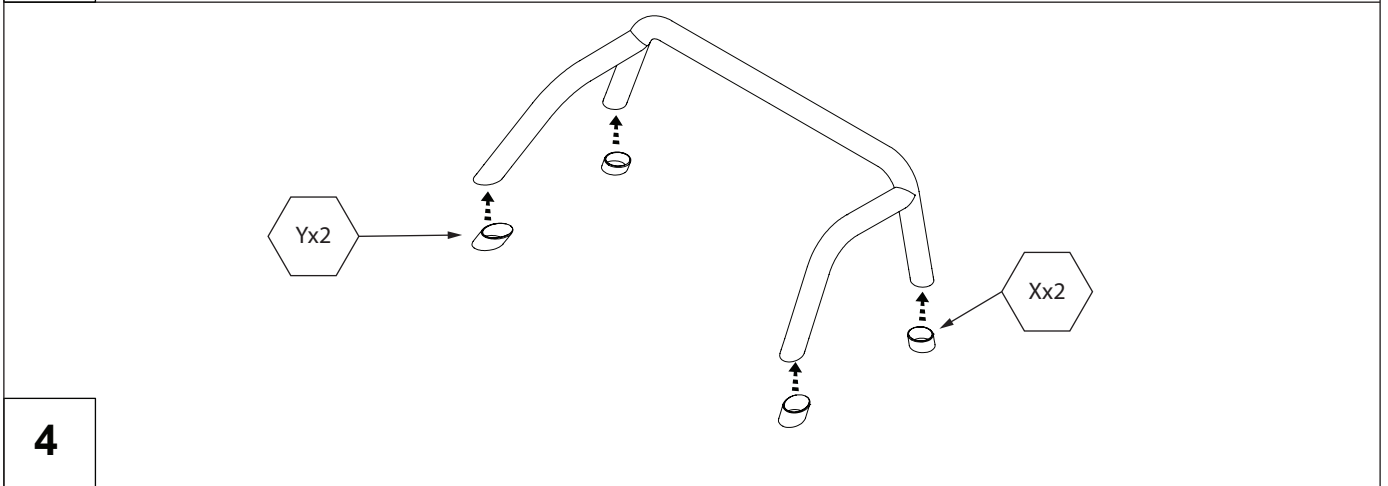
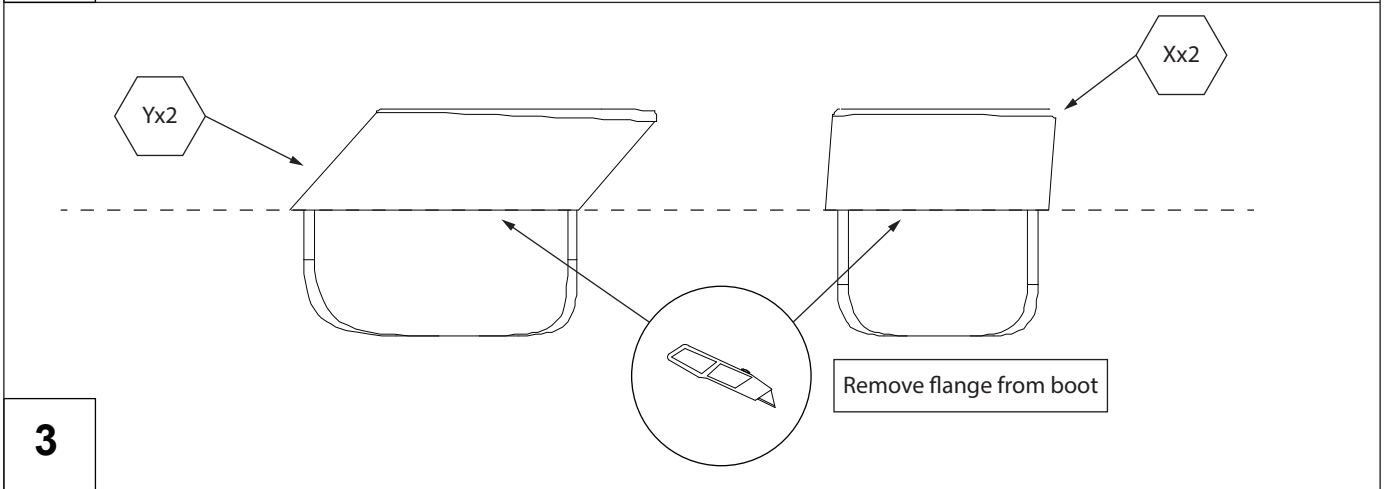
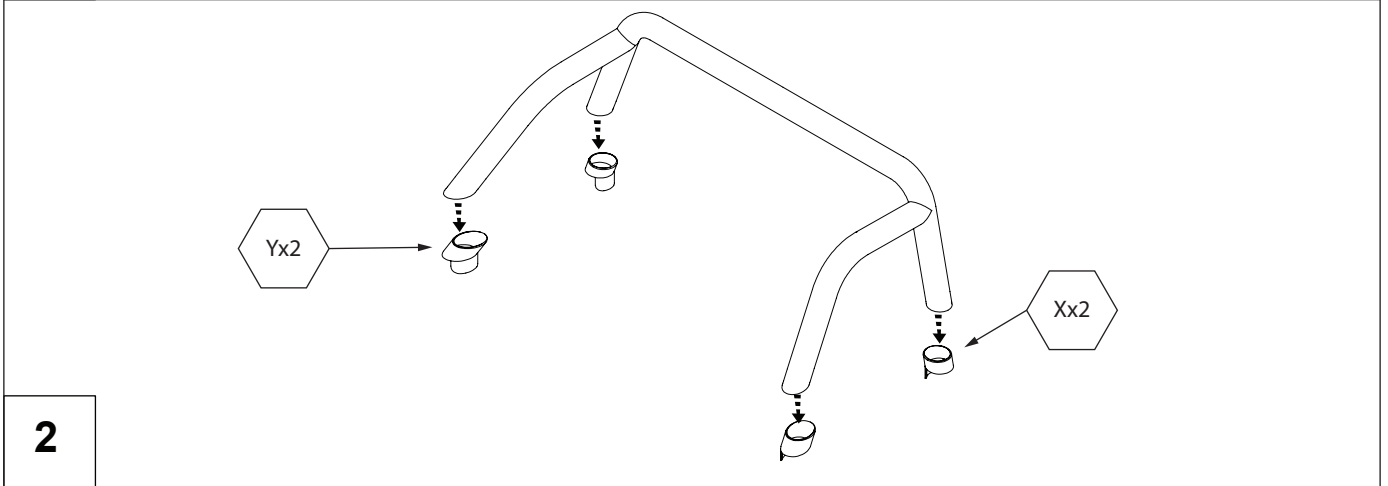
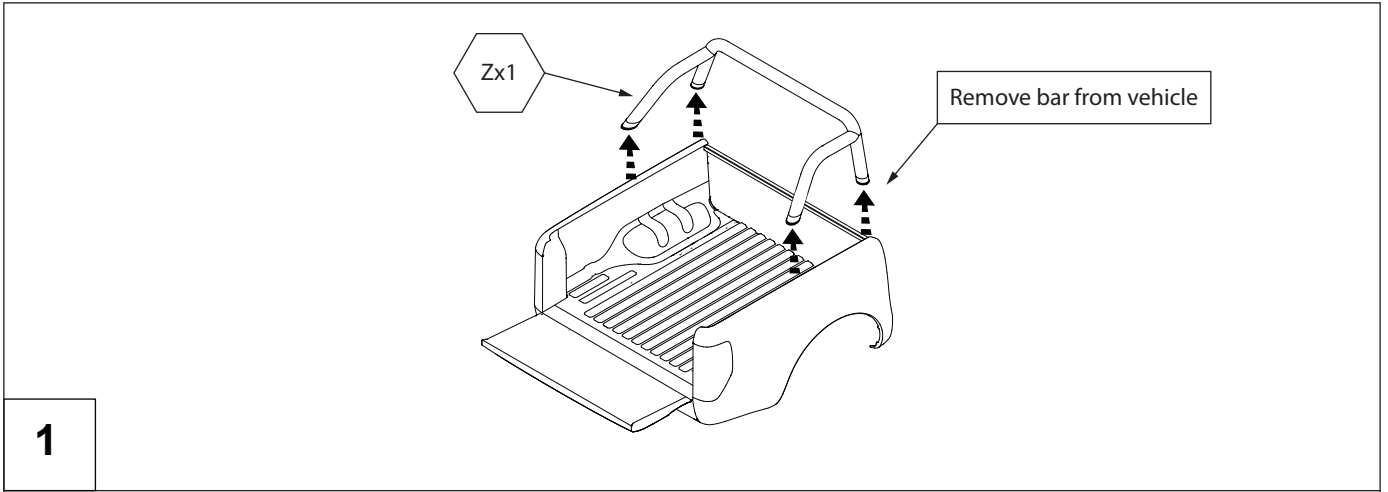


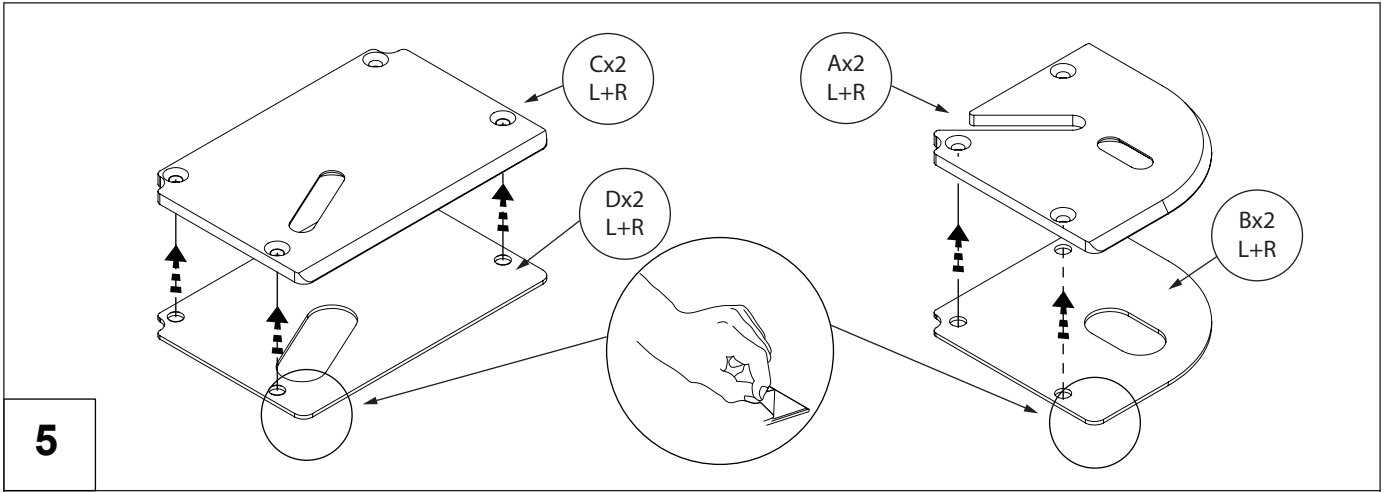
# UpStoneEvolve

## INSTALLATION INSTRUCTIONS K429 Ford Ranger 11+ DC/XC OEM Bar

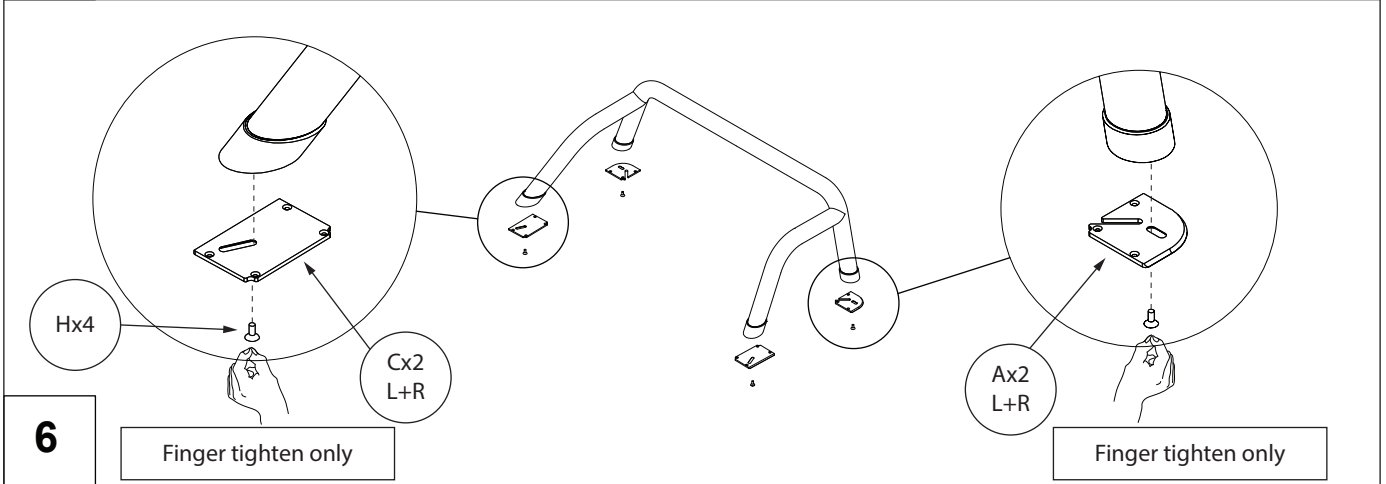
<p><b>A</b></p>  <p>Left + Right 2X</p>	<p><b>B</b></p>  <p>Left + Right 2X</p>	<p><b>C</b></p>  <p>Left + Right 2X</p>		
<p><b>D</b></p>  <p>Left + Right 2X</p>	<p><b>E</b></p>  <p>M6X20mm 14X</p>	<p><b>F</b></p>  <p>M6X13mm 14X</p>		
<p><b>G</b></p>  <p>M6 14X</p>	<p><b>H</b></p>  <p>M8x15mm 4X</p>			
<p> - New component</p> <p> - Existing component</p>	<p>Note 1: If at any stage of installation you find your sportlid to be an unacceptable fit please contact the manufacturer before continuing.</p> <p>Note 2: This kit is only applicable to the <b>Ford Ranger 11+ DC/XC OE bar compatible</b> Upstone Evolve lids.</p>			
<p><b>Tools Required</b></p>    <p>4mm &amp; 5mm Hex Key</p> <p>14mm Wrench</p>				
<p>Fitting Kit Number</p> <p>K429</p>	<p>Product</p> <p>Ford OE Bar</p>	<p>Revision</p> <p>1</p>	<p>Date</p> <p>15.01.16</p>	<p>Page</p> <p>1 of 3</p>



Fitting Kit Number	Product	Revision	Date	Page
K429	Ford OE Bar	1	15.01.16	2 of 4



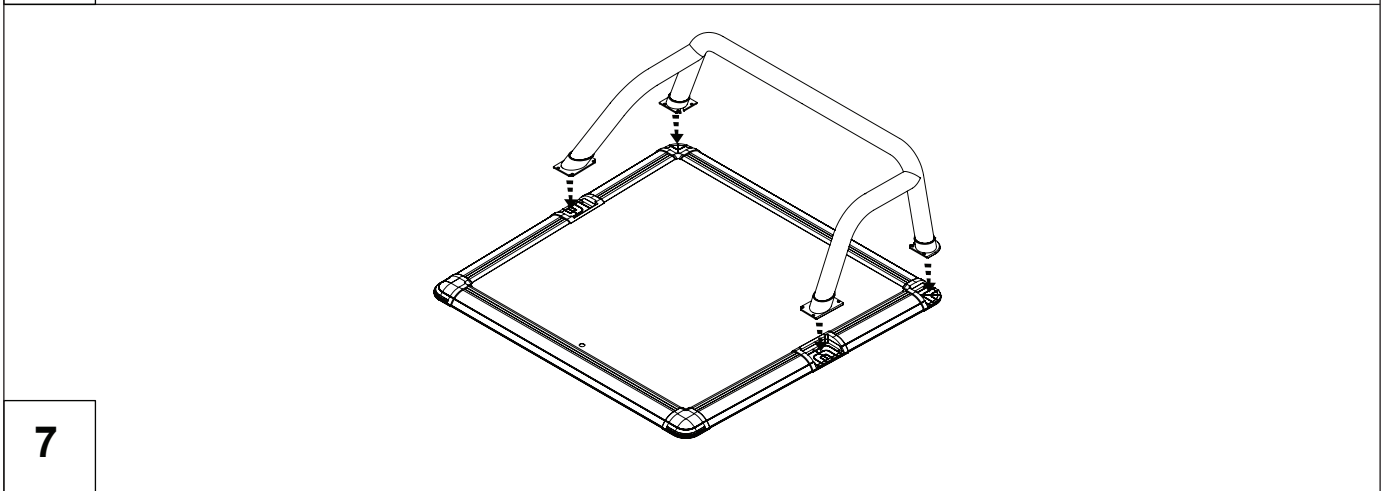
**5**



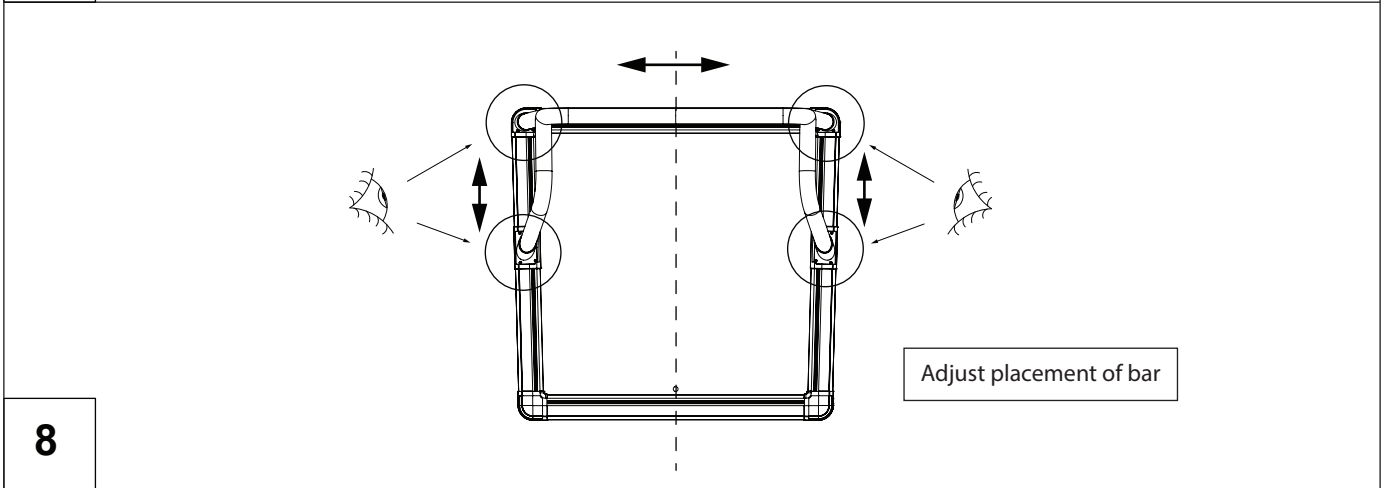
**6**

Finger tighten only

Finger tighten only



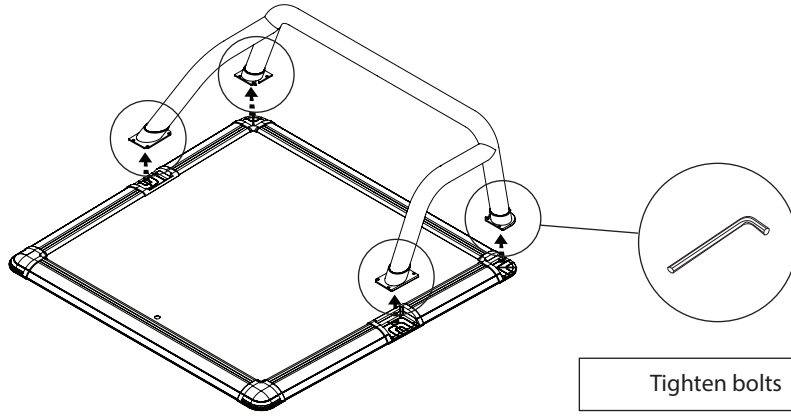
**7**



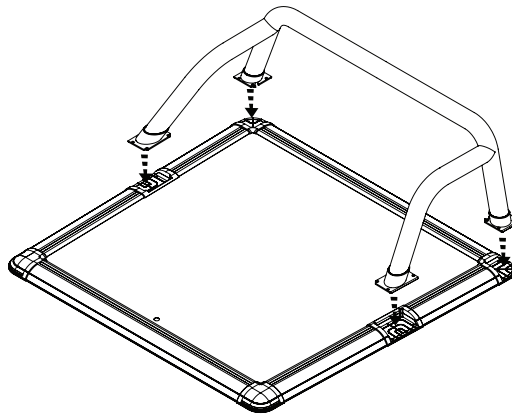
**8**

Adjust placement of bar

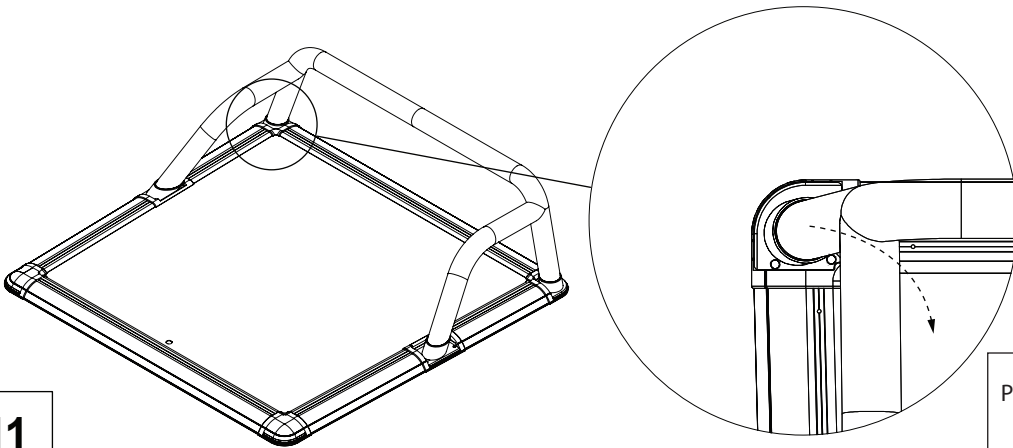
Fitting Kit Number	Product	Revision	Date	Page
K429	Ford OE Bar	1	15.01.16	3 of 4



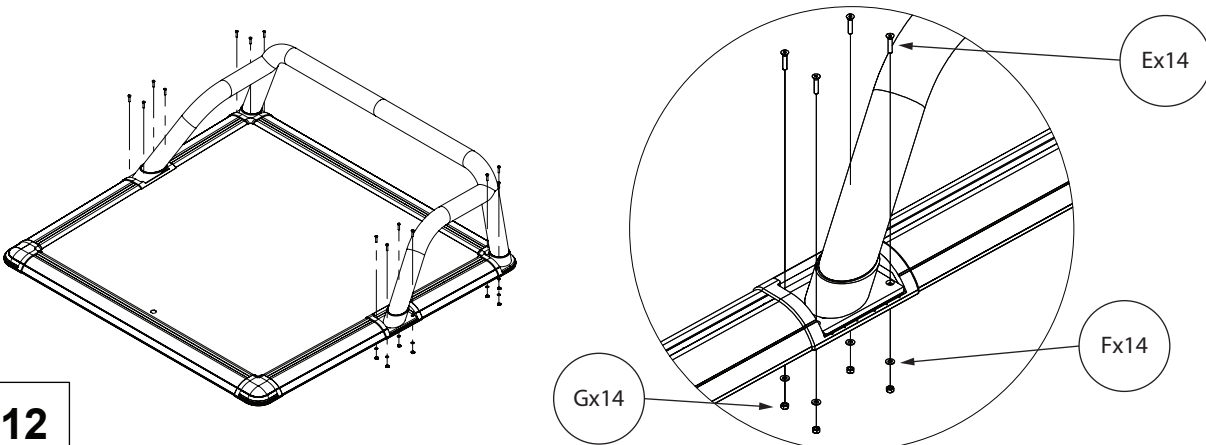
9



10



11



12

Fitting Kit Number	Product	Revision	Date	Page
K429	Ford OE Bar	1	15.01.16	4 of 4